

Digital Panel Meters 43 Series

6BX-E MOUNTING ADAPTOR

Functions & Features

- Mounting Adaptor Plate for installing Model 43ALx Digital Panel Meter inside Model 6BX-E Outdoor Enclosure

MODEL: A-35-[1]

ORDERING INFORMATION

- Code number: A-35-[1]
- Specify a code from below for [1].
(e.g. A-35-T)

[1] TERMINAL BLOCK

- 0: None
- T: With

RELATED PRODUCTS

- Outdoor enclosure (model: 6BX-E)
- 2-wire DC panel meter (model: 43AL)
- Loop powered digital panel meter (model: 43AL1-S)
(Only one-piece terminal block type)

GENERAL SPECIFICATIONS

- Mounting screws:** M4 × 10 (0.39") (two; attached)
- Connection:** Terminal block (option)
(Applicable wire size: 0.2 to 4 mm², stripped length 8 mm)
- Material:** Carbon steel sheet

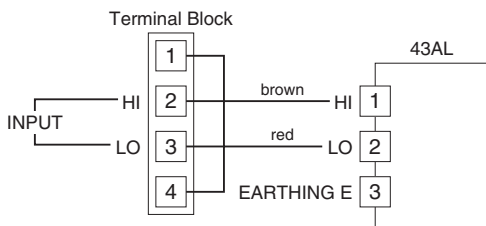
INSTALLATION

- Operating temperature:** -20 to +70°C (-4 to +158°F)
- Operating humidity:** 30 to 90 %RH (non-condensing)
- Weight:** 170 g (6.0 oz) with Terminal Block
130 g (4.6 oz) without Terminal Block

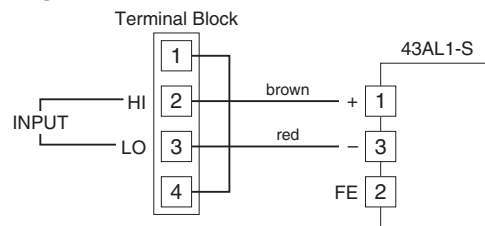
CONNECTION EXAMPLES

■ WITH TERMINAL BLOCK

- 43AL

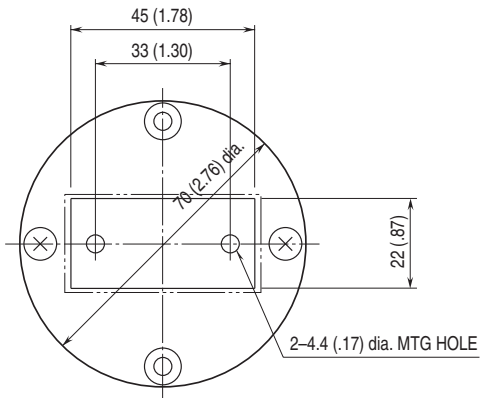


- 43AL1-S

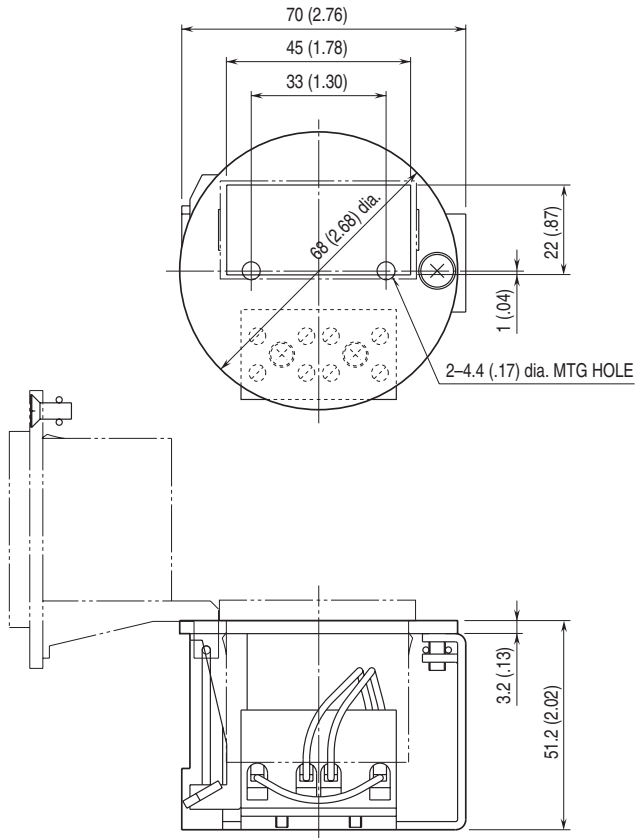


EXTERNAL DIMENSIONS unit: mm [inch]

■ WITHOUT TERMINAL BLOCK



■ WITH TERMINAL BLOCK



Specifications are subject to change without notice.